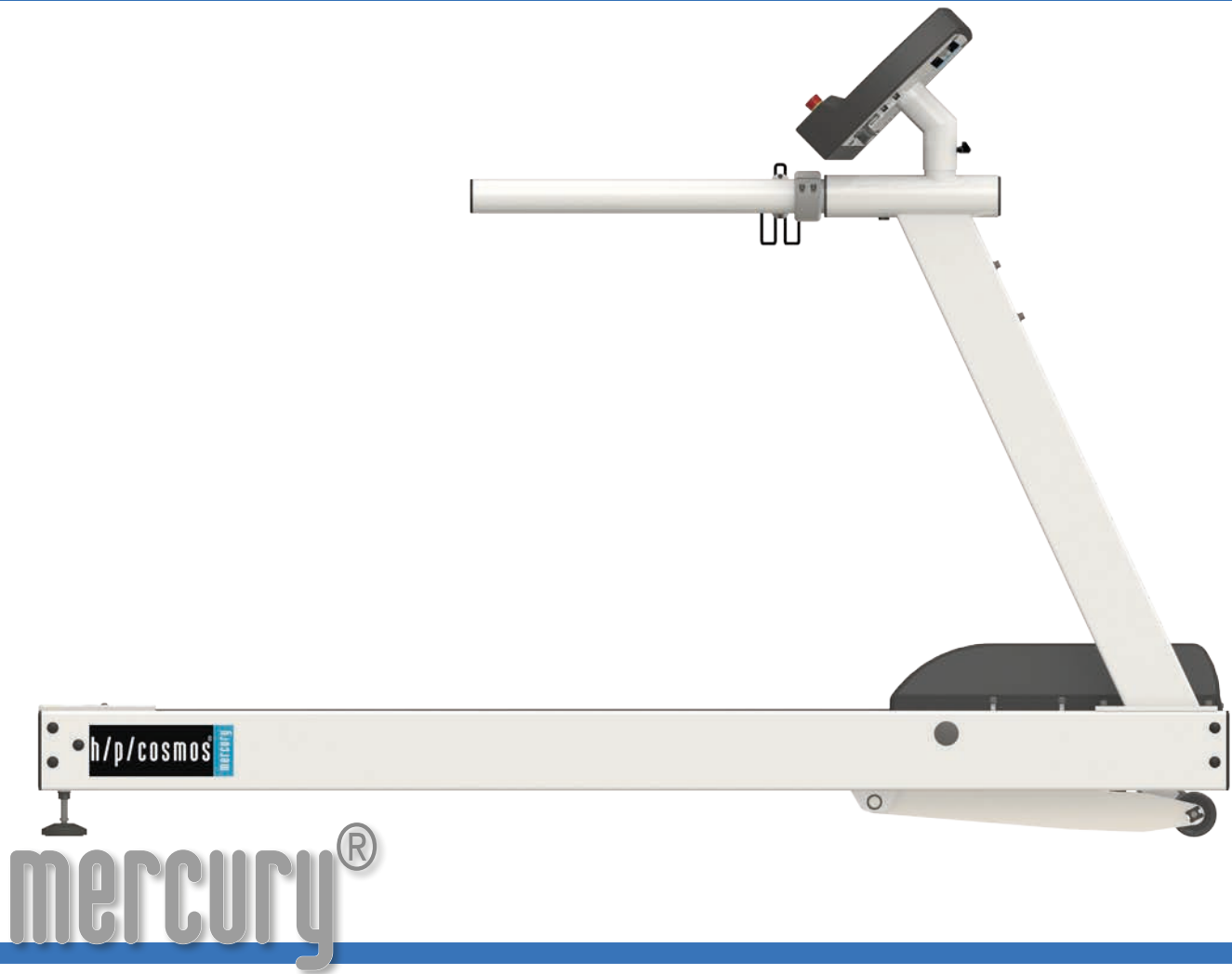


h/p/cosmos®



sports, diagnostics, medical and rehabilitation treadmills

ahead of time®



mercury® med with standard handrails

reliable treadmills made in germany

German Engineering since 1988

Benefit from our experience since 1988 in building and servicing standard and customized treadmill solutions around the globe.



mercury® med with optional paediatric handrails [cos102400-01va01]

h/p/cosmos standard

h/p/cosmos has been developing and building treadmills since 1988 in Germany for various fields including fitness, competitive sports, sports medicine, orthopedic and neurological rehabilitation, sport science, biomechanics, uniformed services, performance diagnostics, cardiopulmonary diagnostics and rehabilitation. This experience, maximum standards in quality and advanced technology are the foundation of our business and also reflected in the mercury® med treadmills. The outstanding level of h/p/cosmos products and service as well as attractive prices form the h/p/cosmos standard.

Stable and low-maintenance

With their stable frame, the treadmills are almost indestructible, very low-maintenance and offer both runner or patient a pleasant running feeling thanks to their state-of-the-art design. They also stand out due to their smooth running, their versatile functions, their powerful drive system and their timeless and user friendly design.

Medical device (class IIb) and sports treadmills

Our treadmills are available as risk class IIb medical treadmills as well as sports treadmills. As a medical device, they are particularly suitable for the use in the fields of cardiology, neurology, cardiological rehabilitation and physiotherapy. The interface via coscom® v4 of the h/p/cosmos treadmill and ergometer series enables the connection to ECG, ergospirometry systems, blood pressure monitors and software programs.

Customer-specific configuration for individual solutions

Treadmills off the peg can be many, at h/p/cosmos you can also get your individually assembled treadmill solution with a large selection of options and accessories. Too little budget for the desired configuration? Changed demands on the treadmill system due to new business areas or new areas of application? No problem, most options and accessories can also be retrofitted at a later date. With h/p/cosmos you are always on the right track, because you cannot make the wrong decision due to the flexible and modular design.



mercury® med with optional long handrails [cos102918-01] and safety arch fall prevention [cos10079-01va01]

flexible handrail concept



Some of our best selling handrail configurations:



mercury® med
with standard handrails



mercury® med
with optional long handrails [cos102918-01]



mercury® med
with optional adjustable handrails [cos102010va07]



mercury® med
with optional paediatric handrails [cos102400-01va01]



mercury® med
with optional very short handrails [cos103867]



mercury® med
with optional speed handrails [cos103651]
and extra wide footboards [cos103928]

The renewed h/p/cosmos handrail concept allows quick and flexible adaptations of the treadmill to various demands.

Standard and long handrail

The ingeniously simple plug-in concept makes it a child's play to change the handrails and adapt them to the required application. As standard we deliver all treadmills of the mercury® series with handrails, which cover about half of the running surface length. By quickly loosening two hex head screws, the short handrail can be easily removed and replaced by the therapist or trainer with a long handrail (reaching to the end of the running surface), either on one side or on both sides (for extended safety when stepping onto the running deck).

Adjustable handrail

h/p/cosmos treadmills can also be supplied with height and width adjustable handrails. This variant is ideal if you serve a heterogeneous clientele. They offer the different patient types (from children, to small and tall persons as well as for obese patients) optimal conditions for therapy and/or training. In combination with the optional arm support, you also enable patients to train more safely and without fear. As an additional feature, the optional arm support offers the possibility of a manual unweighting by the patient relieving partial body weight on these stable pads.

Very short handrail

For special applications, the handrails can be completely removed. Due to safety reasons, a crossbar must then be used, which is mounted on two very short handrails or on speed handrails with additional grips for better jump-on and jump-off during hyperspeed sprint trainings. This variant makes sense, for example, if a video analysis is carried out in the sagittal plane or if an ECG stress test is carried out in cardiology (handrail might interfere with cable routing).

options



Additional options for your individual treadmill solution

The numerous additional options allow you to adapt h/p/cosmos treadmills exactly to your needs and your field of application. Some of our most successful options:

Safety arch fall prevention

In the event of a fall, the patient is caught with a safety harness and the treadmill is automatically stopped.

Unweighting system airwalk® ap (with optional emergency stop)

Unweighting system (dynamic and continuously adjustable approx. 0.5...80 kg) and optional emergency stop (patient is caught in a vest or neopren short and the treadmill stops). For operation of the airwalk® ap, a compressor is needed.

Reverse belt rotation

The running belt runs in the opposite direction. With the incline set at the same time, downhill running can be simulated. The option is available for all h/p/cosmos treadmills with incline option.

Active gait correction robowalk® expander

The h/p/cosmos robowalk® is a patented expander-pulley system for h/p/cosmos treadmills. The test person's legs are connected to the force level and force vector adjustable rubber cables via cuffs and offer support and resistance during the walking and running movement. Especially the traction support by the rubber cords is a valuable help for patients and therapists to perform exercises physiologically and longer, thus improving the therapy success.

Arm support (with additional stop button)

The individually adjustable arm supports give the patient stability and a feeling of safety. Arm support with 3 joints for handrails with Ø 60 mm or arm support for adjustable handrails available.

Additional keyboard

The patient can control the treadmill without removing the arms from the armrests. Therapists can control the treadmill externally from a comfortable position around the treadmill.

Wheelchair ramp

Our wheelchair ramp enables patients to safely access the treadmill.



mercury® med with adjustable handrails [cos102010va07], airwalk® ap unweighting system [cos30028], robowalk® front [cos30022-02va04] and back [cos30023-03]



mercury® med with adjustable handrails [cos102010va07], airwalk® ap unweighting system [cos30028], robowalk® front [cos30022-02va04], back [cos30023-03] and reverse belt rotation [cos10181-03]



arm support with 3 joints [cos12013-01] for all handrails (Ø 60 mm) and additional keyboard [cos100680-01]

options



zebris® pressure distribution

The mercury® series treadmills can be equipped or retrofitted with an integrated pressure distribution platform from the German manufacturer zebris®.

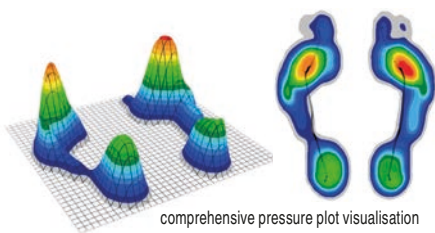
This upgrade allows versatile applications for rehabilitation, training and analysis! Underneath the belt, a pressure sensor matrix is installed that contains several thousand calibrated, capacitive pressure sensors. The belt movement is compensated, so stable gait and roll-off parameters can be analysed and displayed in a comprehensive software interface as well as in reports - a well proven and established tool amongst therapists.

Gait training and adaptive visual cueing

The initial gait analysis is carried out without any measuring preparations to be done on the patient. The measuring process can be observed on the screen in real-time. The report is automatically generated. In order to prepare the gait training using adaptive visual cueing, the parameters from the gait analysis (step length & width and foot rotation) are automatically transferred and can be individually adjusted according to training objectives. The values remain constant or gradually approach the target settings during the course of the training. During training the steps are projected onto the treadmill belt in the shape of the actual footprints, or alternatively as rectangles. Throughout the gait training the patient is instructed to position his or her feet as accurately as possible within the projected area. The gait training including visual stimulation/cueing is also possible when using an unweighting system and thus also allows for patients who are suffering from severe functional limitations to start therapy even at an early stage. The report documents the adherence to the target settings. On that basis, the target parameters can be adjusted to the patient's individual capability. For an optimal training control, two gait analyses are compared, e.g. before and after a training period.

Gait and coordination training using virtual feedback

Physical and cognitive abilities are simultaneously demanded during dual-task-training in the virtual walking environment. The patient solves simple perceptual and memory tasks as well as arithmetic problems while walking and observing his or her footprints. Thus, reaction time and attentiveness are improved while simultaneously supporting automated walking. The various modules allow the training to be individually adapted to each patient.



comprehensive pressure plot visualisation



adaptive visual cueing [cos101291-01] with projected steps on the treadmill belt



gait and coordination training on a treadmill using virtual feedback [cos101062] and dual-tasking

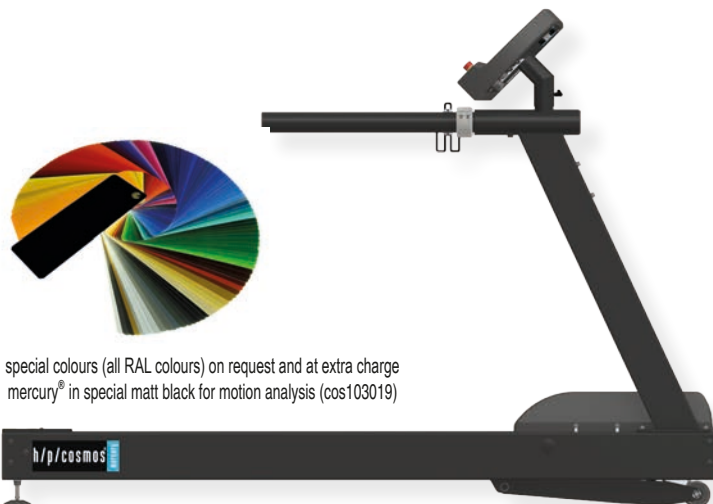
configuration mercury®: fitness



recommended configuration fitness mercury®

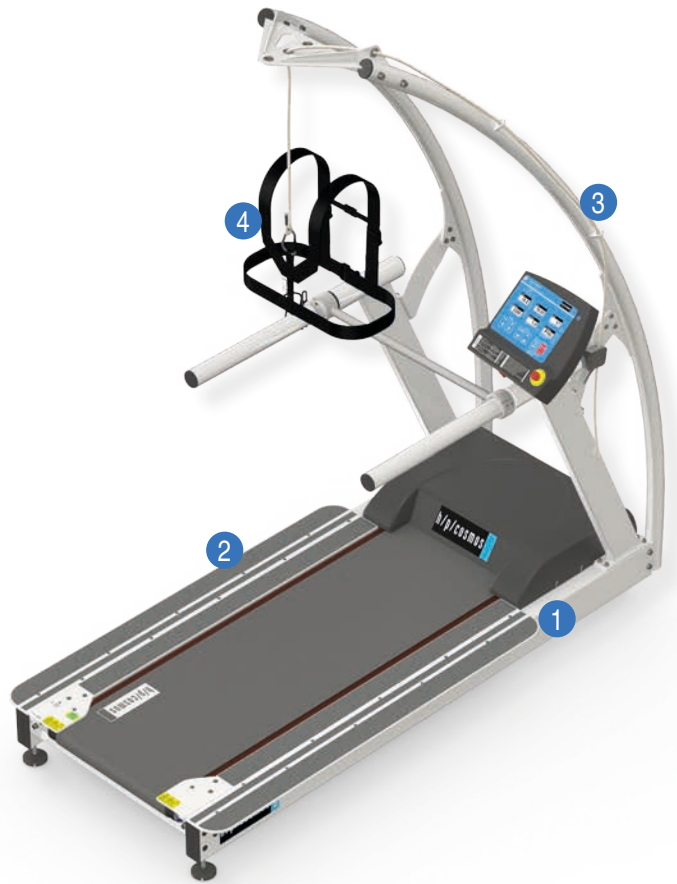
pos.	qty.	order number	product description		
1.	1	cos30000-02va01	h/p/cosmos treadmill mercury® running surface 150 x 50 cm, speed range 0 ... 22 km/h, elevation 0 ... 25 %, UserTerminal MCU5 with keyboard and display, integrated interface and coscom® v3/v4 protocol		
2.	1	cos102522va01	Packing treadmill 150/50 (SA) , packed part assembled on pallet with cardboard hood (L: 230 cm / W: 109 cm / H: 87 cm)		
3.	1	cos60098010021	transport / shipping charge (please specify if truck, sea or air freight; for overseas sea shipment is recommended)		
4.	1	cos10194	installation, commissioning and instruction through authorised and trained personnel		
			total price net, excluding VAT, excluding custom duties		
			VAT (19 % in Germany, other VAT and/or custom duties may apply in other countries)		
			system price h/p/cosmos solution for gait training: please ask your dealer for a quotation		

E & OE. Subject to alterations without prior notice. The illustrations may show accessories and items of optional equipment which are not part of standard specification or the recommended configuration. Subject to our general terms of trade: www.hpcosmos.com



special colours (all RAL colours) on request and at extra charge
mercury® in special matt black for motion analysis (cos103019)

configuration mercury® med: diagnostics

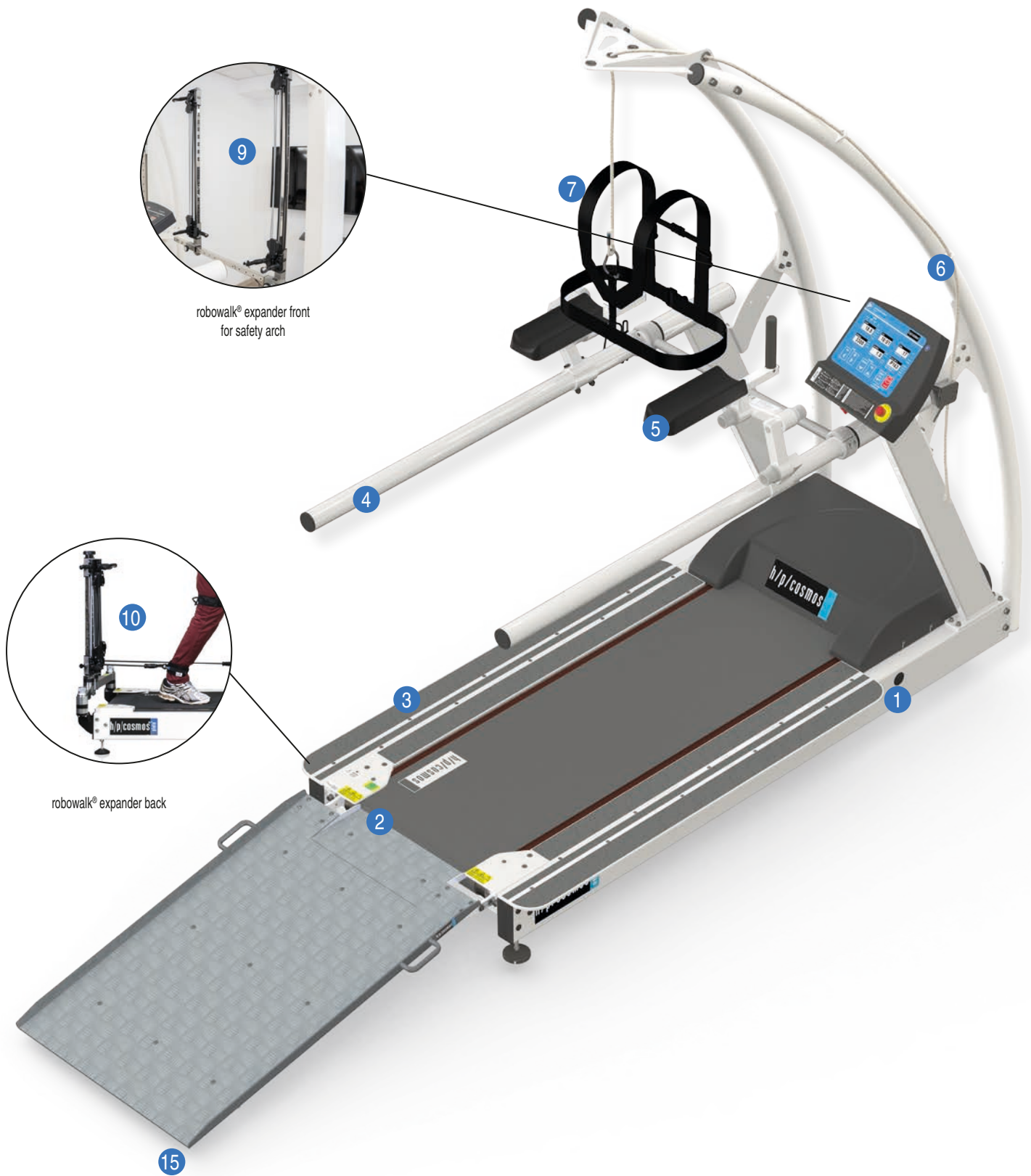


recommended configuration diagnostics mercury® med

pos.	qty.	order number	product description		
1.	1	cos30000-02va02	h/p/cosmos treadmill mercury® med running surface 150 x 50 cm, speed range 0 ... 22 km/h, elevation 0 ... 25 %, UserTerminal MCU5 with keyboard and display, integrated interface and coscom® v3/v4 protocol		
2.	1	cos103928	Footboard extra wide (both sides) 150/50 for safe on and off stepping during fitness trainings and exercises For speed & sprint training safety arch is an obligatory requirement.		
3.	1	cos10079-01va01	Safety arch 50 with harness & chest belt / stop function, fall protection for all applications (mandatory for high risk applications); running surface 50 cm wide		
4.	1	cos14903-04-S	Chestbelt S for safety arch system colour code: red, for chest measurement approx. 65-95 cm		
5.	1	cos14903-04-L	Chestbelt L for safety arch system colour code: yellow, for chest measurement approx. 105-135 cm		
6.	1	cos103698	2nd interface RS232 com2 for MCU5 coscom® 9,600 bps additional RS232 port for ECG, EEG, Spiro, PC or UserTerminal		
7.	1	cos00097010034	Connection cable RS232 5 m, (Sub-D 9-pin male/female)		
8.	1	cos12769-01	USB to RS232 converter , converter from USB to serial port RS232 (Sub-D 9-pin male)		
5.	1	cos102522va03	Packing treadmill 150/50 (SA) , packed part assembled on pallet with cardboard hood, incl. safety arch (L: 274 cm / W: 122 cm / H: 94 cm)		
6.	1	cos60098010021	transport / shipping charge (please specify if truck, sea or air freight; for overseas sea shipment is recommended)		
7.	1	cos10194	installation, commissioning and instruction through authorised and trained personnel		
			total price net, excluding VAT, excluding custom duties		
			VAT (19 % in Germany, other VAT and/or custom duties may apply in other countries)		
			system price h/p/cosmos solution for gait training: please ask your dealer for a quotation		

E & OE. Subject to alterations without prior notice. The illustrations may show accessories and items of optional equipment which are not part of standard specification or the recommended configuration. Subject to our general terms of trade: www.hpocosmos.com

configuration mercury® med: gait rehabilitation advanced



robwalk® expander front
for safety arch

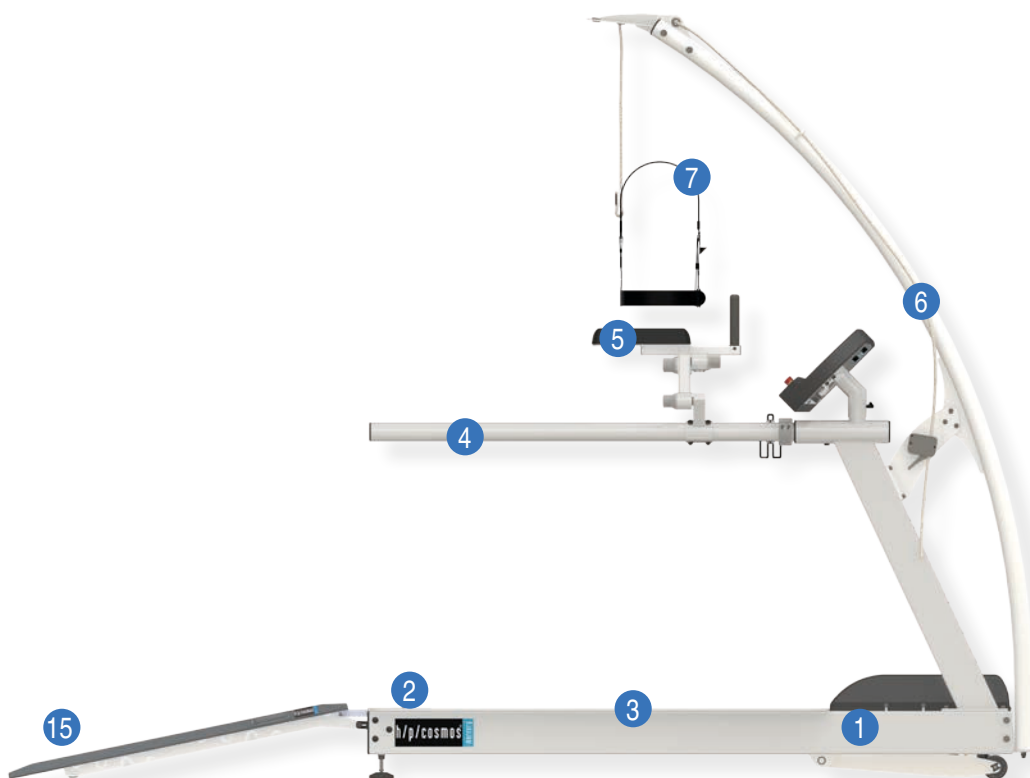
robwalk® expander back

configuration mercury® med: gait rehabilitation advanced

recommended configuration gait rehabilitation advanced mercury® med

pos.	qty.	order number	product description		
1.	1	cos30000-02va02	h/p/cosmos treadmill mercury® med running surface 150 x 50 cm, speed range 0...22 km/h, elevation 0...25 %, UserTerminal MCU5 with keyboard and display, integrated interface and coscom® v3/v4 protocol		
2.	1	cos103330va02	Reverse treadmill belt rotation, incl. running belt 5mm & belt centering rolls, max. reverse speed: 5 km/h		
3.	1	cos103928	Footboard extra wide (both sides) 150/50 for safe on and off stepping during fitness trainings and exercises For speed & sprint training safety arch is an obligatory requirement.		
4.	1	cos102918-01	Handrail long Handrail pluggable long. Option consists of 2 long handrails (not for USA/Canada)		
5.	1	cos12013-01	Adjustable arm supports with scale Forearm / elbow support and handle. For weight load reduction and/or for safety support, fixed on the handrails of the treadmill ergometer.		
6.	1	cos10079-01va01	Safety arch 50 with harness & chest belt / stop function, fall protection for all applications (mandatory for high risk applications); running surface 50 cm wide		
7.	1	cos14903-04-S	Chestbelt S for safety arch system colour code: red, for chest measurement approx. 65-95 cm		
8.	1	cos14903-04-L	Chestbelt L for safety arch system colour code: yellow, for chest measurement approx. 105-135 cm		
9.	1	cos30022-02va06	robowalk® expander front for treadmills with safety arch		
10.	1	cos30023-03	robowalk® expander back (rear)		
11.	1	cos101050-S	Leg cuff thigh S (250 - 390 mm), 1 pair		
12.	1	cos101050-M	Leg cuff thigh M (350 - 510 mm), 1 pair		
13.	1	cos101050-L	Leg cuff thigh L (490 - 750mm), 1 pair		
14.	1	cos101051-XS	Leg cuff shank XS (140 - 270mm), 1 pair		
15.	1	cos16186-02	Wheelchair ramp (L: 125 cm x W: 80 cm) enables the patients' wheelchair to be pushed onto the treadmill		
16.	1	cos102522va03	Packing treadmill 150/50 (SA) , packed part assembled on pallet with cardboard hood, incl. safety arch (L: 274 cm / W: 122 cm / H: 94 cm)		
17.	1	cos60098010021	transport / shipping charge (please specify if truck, sea or air freight; for overseas sea shipment is recommended)		
18.	1	cos10194	installation, commissioning and instruction through authorised and trained personnel		
			total price net, excluding VAT, excluding custom duties		
			VAT (19 % in Germany, other VAT and/or custom duties may apply in other countries)		
			system price h/p/cosmos solution for gait training; please ask your dealer for a quotation		

E & OE. Subject to alterations without prior notice. The illustrations may show accessories and items of optional equipment which are not part of standard specification or the recommended configuration. Subject to our general terms of trade: www.hpcosmos.com



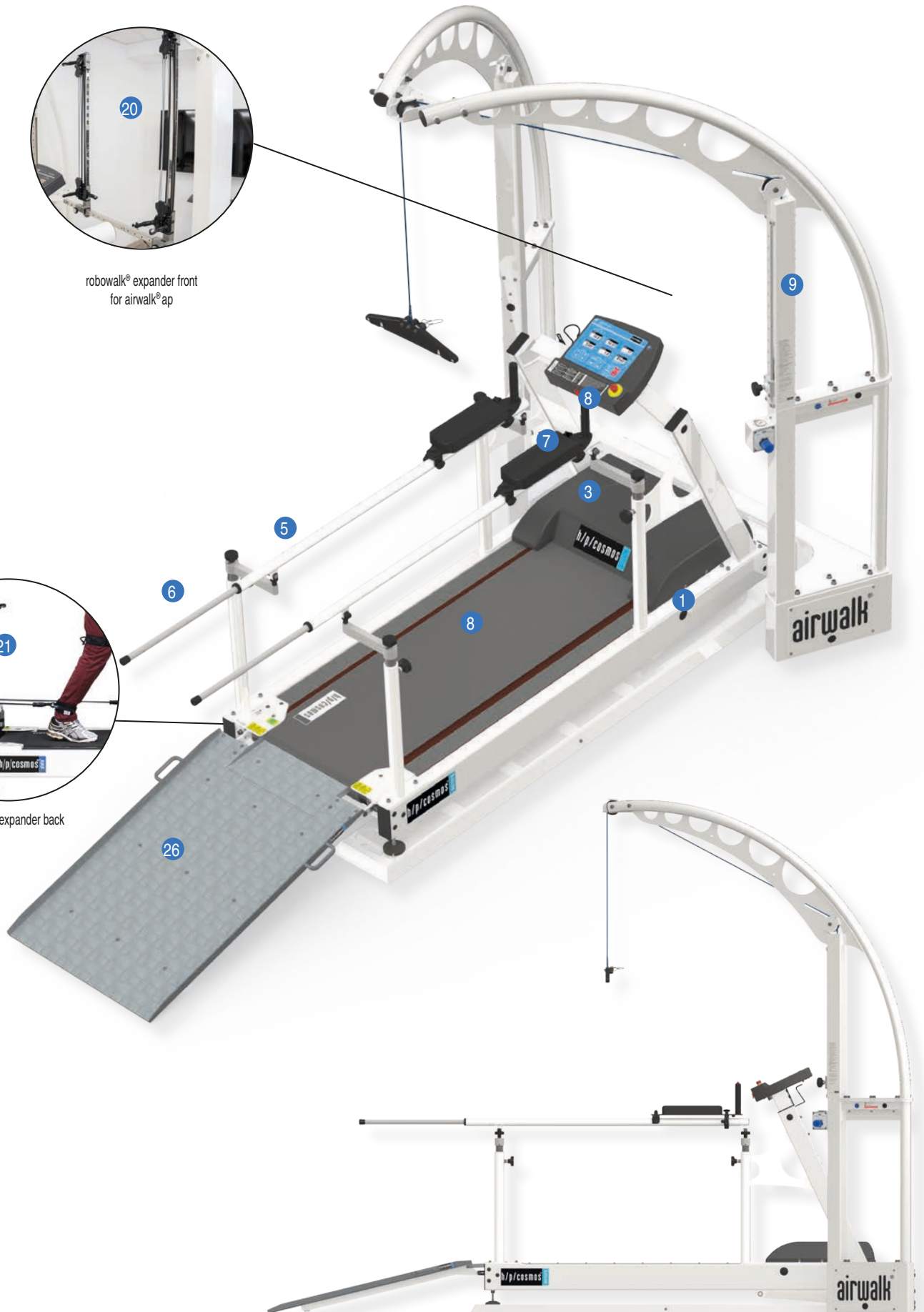
configuration mercury® med: gait rehabilitation professional



robowalk® expander front
for airwalk® ap



robowalk® expander back



configuration mercury® med: gait rehabilitation professional

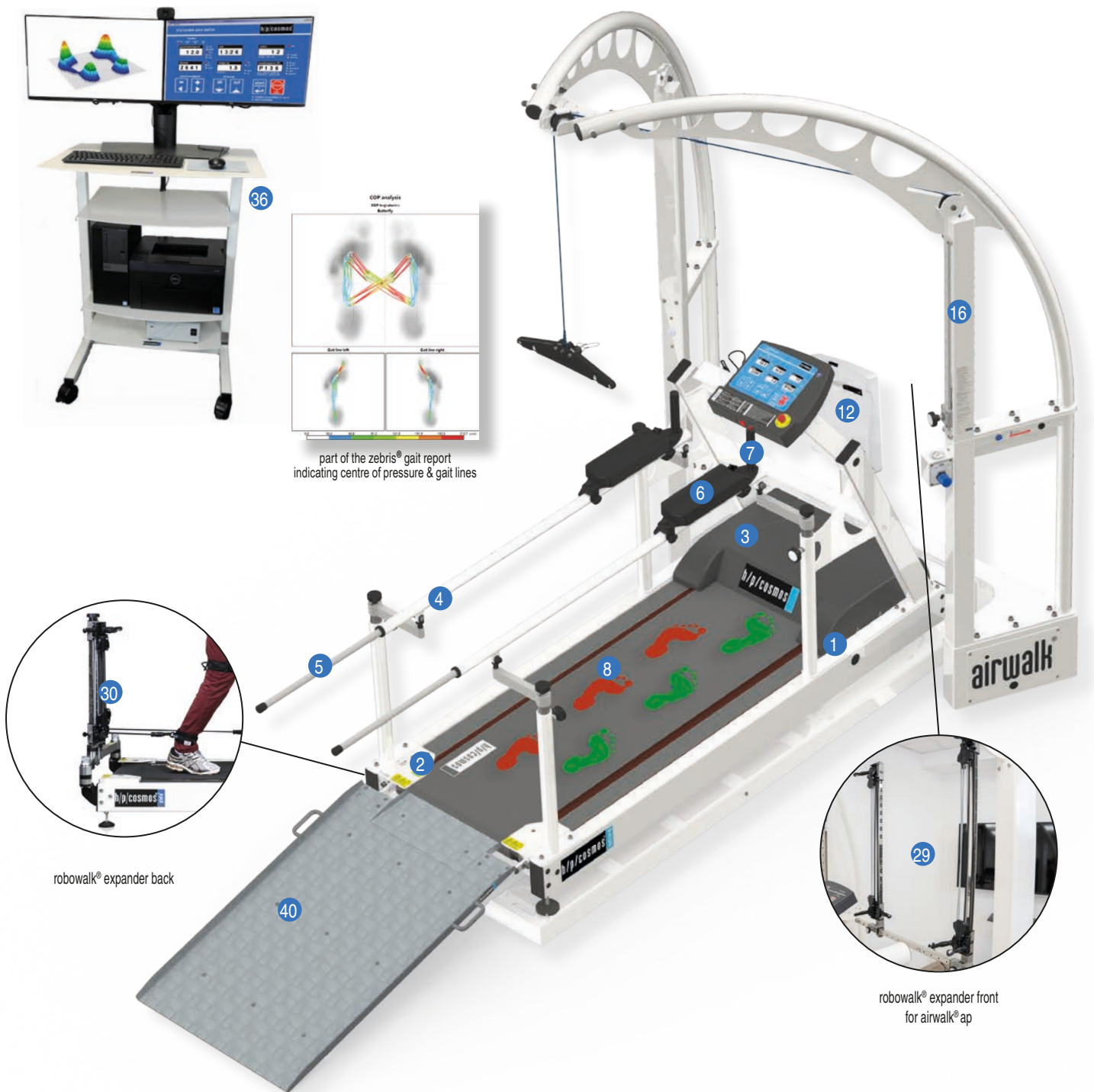
recommended configuration gait rehabilitation professional mercury® med

pos.	qty.	order number	product description		
1.	1	cos30000-02va02	h/p/cosmos treadmill mercury® med running surface 150 x 50 cm, speed range 0...22 km/h, elevation 0...25 %, UserTerminal MCU5 with keyboard and display, integrated interface and coscom® v3/v4 protocol		
2.	1	cos103330va02	Reverse treadmill belt rotation, incl. running belt 5mm & belt centering rolls, max. reverse speed: 5 km/h		
3.	1	cos104173	Motor brake prevents the majority of belt movement at target speed = "0" (e.g. treadmill stop/pause), with exception of a few cm / inch.		
4.	1	cos14376va02	Motor brake speed sensor, speed & dist measurement		
5.	1	cos102010va07	Handrails adjustable bar length 1500 mm, locking bar with height raster 25 mm, H: 75...120 cm / W: 38...104 cm		
6.	1	cos102899	Extension rods for adjustable handrail D= 25 mm offer another 550 mm length to the back		
7.	1	cos102560	Arm supports for handrails adjustable, forearm support with hand grip for adjustable handrails		
8.	1	cos10107	Additional stop-button right, stop-button for hand grip in the arm support, right hand side		
9.	1	cos30028	airwalk® ap, unweighting device dynamic up to ca. 80 kg, compressor or compressed air supply required (max. 250 kg / 551 lbs body weight), incl. chest belt size M		
10.	1	cos103058	Compressor for airwalk® ap, 8 bar		
11.	1	cos102342-01	Emergency stop for airwalk® ap, additional function of airwalk ap also as fall prevention system (safety arch) with autom. treadmill belt stop		
12.	1	cos100432-01	Extension sling set 60 cm for h/p/cosmos airwalk® ap, i.e. for small subjects (children) in airwalk vest XS		
13.	1	cos102785-01	Express sling/loop 18 cm, 1x express sling/loop 18 cm for extension of pulling rope		
14.	1	cos10095-vest-S	Vest S for h/p/cosmos airwalk® (all models), size S (thorax circumference: 85-92 cm), colour code red		
15.	1	cos10095-vest-L	Vest L for h/p/cosmos airwalk® (all models), size L (thorax circumference: 106-114 cm), colour code green		
16.	1	cos10095-neo-S	Neoprene shorts S for h/p/cosmos airwalk® (all models), size S (waist: 55-92 cm)		
17.	1	cos10095-neo-M	Neoprene shorts M for h/p/cosmos airwalk® (all models), size M (waist: 93-105 cm)		
18.	1	cos10095-neo-L	Neoprene shorts L for h/p/cosmos airwalk® (all models), size L (waist: 106-114 cm)		
20.	1	cos30022-02va04	robowalk® expander front for airwalk® ap, for the front area		
21.	1	cos30023-03	robowalk® expander back (rear)		
22.	1	cos101050-S	Leg cuff thigh S (250 - 390 mm), 1 pair		
23.	1	cos101050-M	Leg cuff thigh M (350 - 510 mm), 1 pair		
24.	1	cos101050-L	Leg cuff thigh L (490 - 750mm), 1 pair		
25.	1	cos101051-XS	Leg cuff shank XS (140 - 270mm), 1 pair		
26.	1	cos16186-02	Wheelchair ramp (L: 125 cm x W: 80 cm) enables the patients' wheelchair to be pushed onto the treadmill		
27.	1	cos102522va04	Packing treadmill 150/50, full assembled with cardboard hood (L: 230 cm / W: 109 cm / H: 169 cm)		
28.	1	cos102538va02	Packing airwalk® ap, part assembled, packed part assembled on pallet with cardboard hood		
29.	1	cos60098010021	transport / shipping charge (please specify if truck, sea or air freight; for overseas sea shipment is recommended)		
30.	1	cos10194	installation, commissioning and instruction through authorised and trained personnel		
31.	1	cos101094	1-day application workshop, includes costs for specialist / referent. Not including flight, logistics, hotel, etc.		
			total price net, excluding VAT, excluding custom duties		
			VAT (19 % in Germany, other VAT and/or custom duties may apply in other countries)		
			system price h/p/cosmos solution for gait training: please ask your dealer for a quotation		

E & OE. Subject to alterations without prior notice. The illustrations may show accessories and items of optional equipment which are not part of standard specification or the recommended configuration. Subject to our general terms of trade: www.hpcosmos.com

configuration mercury® med: gait rehabilitation premium

recommended configuration gait rehabilitation premium mercury® med



pos.	qty.	order number	product description		
1.	1	cos30000-02va02	h/p/cosmos treadmill mercury® med running surface 150 x 50 cm, speed range 0...22 km/h, elevation 0...25 %, UserTerminal MCU5 with keyboard and display, integrated interface and coscom® v3/v4 protocol		
2.	1	cos103330va02	Reverse treadmill belt rotation, incl. running belt 5mm & belt centering rolls, max. reverse speed: 5 km/h		
3.	1	cos104173	Motor brake prevents the majority of belt movement at target speed = "0" (e.g. treadmill stop/pause), with exception of a few cm / inch.		
4.	1	cos102010va07	Handrails adjustable bar length 1500 mm, locking bar with height raster 25 mm, H: 75...120 cm / W: 38...104 cm		
5.	1	cos102899	Extension rods for adjustable handrail D= 25 mm offer another 550 mm length to the back		
6.	1	cos102560	Arm supports for handrails adjustable, forearm support with hand grip for adjustable handrails		
7.	1	cos10107	Additional stop-button right, stop-button for hand grip in the arm support, right hand side		

E & OE. Subject to alterations without prior notice. The illustrations may show accessories and items of optional equipment which are not part of standard specification or the recommended configuration. Subject to our general terms of trade: www.hpcosmos.com

configuration mercury® med: gait rehabilitation premium

recommended configuration gait rehabilitation premium mercury® med

pos.	qty.	order number	product description		
8.	1	cos103335-01va03	zebris® FDM pressure measuring platform 2i upgrade for running deck 150/50, without treadmill option pressure distribution platform 101.6 x 49.5 cm, 3.120 sensors, 120 Hz, price only valid for initial fitting-out, incl. software zebris FDM for gait analysis		
9.	1	cos100385d	zebris® SyncCam (camera without stand), video camera 30 Hz, synchronization cable, USB cable and power supply - without light system		
10.	1	cos100385b	zebris® stand for SyncCam or SyncLightCam (mobile) mobile stand for SyncCam and SyncLightCam with integrated cable fixation		
11.	1	cos100384	zebris® FDM-Stance Modul extra software module for stance & balance analysis for instrumented biomechanic treadmill or platform stand alone		
12.	1	cos101291-01	zebris® visual stimulation upgrade for 150/50 (Rehawk®) video projector, mounting and software for gait training through step projection on h/p/cosmos treadmill 150/50 cm		
13.	1	cos101062	zebris® software-module virtual training (without monitor!) interactive gait training on a virtual forest path incl. five gait modules in different levels of difficulty for augmented feedback on the instrumented h/p/cosmos treadmill (without monitor, without stand)		
14.	1	cos30028	airwalk® ap, unweighting device dynamic up to approx. 80 kg, compressor or compressed air supply required (max. 250 kg / 551 lbs body weight), incl. chest belt size M		
15.	1	cos100815-01	Additional keyboard with magnet holder, mobile remote control with 6 keys with a approx. 2 m coiled cord		
16.	1	cos100816	Extension cable for additional keyboard, Spiral cable extendable to 2 meters		
17.	1	cos103058	Compressor for airwalk® ap, 8 bar		
18.	1	cos102342-01	Emergency stop for airwalk® ap, additional function of airwalk ap also as fall prevention system (safety arch) with autom. treadmill belt stop		
19.	1	cos100432-01	Extension sling set 60 cm for h/p/cosmos airwalk ap, i.e. for small subjects (children) in airwalk vest XS		
20.	1	cos102785-01	Express sling/loop 18 cm, 1x express sling/loop 18 cm for extension of pulling rope		
21.	1	cos10095-vest-S	Vest S for h/p/cosmos airwalk® (all models), size S (thorax circumference: 85-92 cm), colour code red		
22.	1	cos10095-vest-M	Vest M for h/p/cosmos airwalk® (all models), size S (thorax circumference: 93-105 cm), colour code red		
23.	1	cos10095-vest-L	Vest L for h/p/cosmos airwalk® (all models), size L (thorax circumference: 106-114 cm), colour code green		
24.	1	cos10095-vest-XL	Vest XL for h/p/cosmos airwalk® (all models), size XL (thorax circumference: 116-130 cm), colour code blue		
25.	1	cos10095-neo-S	Neoprene shorts S for h/p/cosmos airwalk® (all models), size S (waist: 55-92 cm)		
26.	1	cos10095-neo-M	Neoprene shorts M for h/p/cosmos airwalk® (all models), size M (waist: 93-105 cm)		
27.	1	cos10095-neo-L	Neoprene shorts L for h/p/cosmos airwalk® (all models), size L (waist: 106-114 cm)		
28.	1	cos10095-neo-XL	Neoprene shorts XL for h/p/cosmos airwalk® (all models), size XL (waist: 115-123 cm)		
29.	1	cos30022-02va04	robwalk® expander front for airwalk® ap, for the front area		
30.	1	cos30023-03	robwalk® expander back (rear)		
31.	1	cos101050-S	Leg cuff thigh S (250 - 390 mm), 1 pair		
32.	1	cos101050-M	Leg cuff thigh M (350 - 510 mm), 1 pair		
33.	1	cos101050-L	Leg cuff thigh L (490 - 750mm), 1 pair		
34.	1	cos101051-XS	Leg cuff shank XS (140 - 270mm), 1 pair		
35.	1	cos101745	robwalk® manual pulling unit with 125 cm expander rope, 1 pair of expander manual pulling units 125 cm (incl. 1 noose and 1 thigh cuff)		
36.	1	cos101748-01	Universal noose robwalk®		
37.	1	cos14970-03	h/p/cosmos satellite PC med DELL PC, 2x 24" LCD Monitor, COL Laser printer, potential isolation transformer, h/p/cosmos PC-rack with 4 casters		
38.	1	cos102397	LCD monitor TV 50" (with a small monitor stand for table) for example for SpeedLab®, gaitway® display or for the virtual training module of zebris®		
39.	1	cos101624	Monitor stand mobile for LCD TV 32-60" monitor stand (without monitor!) for additional TV / monitor (max. load: 30 kg), height: 180 cm.		
40.	1	cos12769-01	USB to RS232 converter converter from USB to serial port RS232 (Sub-D 9-pin male)		
41.	1	cos16186-02	Wheelchair ramp (L: 125 cm x W: 80 cm) enables the patients' wheelchair to be pushed onto the treadmill		
42.	1	cos102522va04	Packing treadmill 150/50, full assembled with cardboard hood (L: 230 cm / W: 109 cm / H: 169 cm)		
43.	1	cos102538va02	Packing airwalk® ap, part assembled, packed part assembled on pallet with cardboard hood		
44.	1	cos60098010021	transport / shipping charge (please specify if truck, sea or air freight; for overseas sea shipment is recommended)		
45.	1	cos10194	installation, commissioning and instruction through authorised and trained personnel		
46.	1	cos101094	1-day application workshop, includes costs for specialist / referent. Not including flight, logistics, hotel, etc.		
			total price net, excluding VAT, excluding custom duties		
			VAT (19 % in Germany, other VAT and/or custom duties may apply in other countries)		
			system price h/p/cosmos solution for gait training: please ask your dealer for a quotation		

E & OE. Subject to alterations without prior notice. The illustrations may show accessories and items of optional equipment which are not part of standard specification or the recommended configuration.
Subject to our general terms of trade: www.hpcosmos.com

treadmill:	mercury®
manufacturer:	h/p/cosmos sports & medical gmbh / Germany
order number:	cos30000-02va01
applications:	endurance training walking and running
control:	via UserTerminal MCU5 with keyboard and display, UserTerminal 180° rotatable, integrated interface or via optional remote control
keyboard:	6 keys for manual control, easily controllable with medical gloves and under sweaty conditions
running surface:	L: 150 cm (4ft 11.06") W: 50 cm (1ft 7.69") access height: 23 cm (9.06") - shock load reduction for the joints - rubber running belt with slip-resistant pyramid profile - max. permissible load: 300 kg (661 lbs)
speed range:	0.0...22.0 km/h (0.0...6.1 m/s) (0.0...13.6 mph)
acceleration:	7 acceleration / deceleration levels between 131 s and 3 s from 0 to max. or from max. to 0; equals 0.038... 1.66 m/s ² levels 1 to 4 enabled, levels 5 to 7 on request adjustable via treadmill or remote control
elevation:	0.0...25.0 % (0.0...14.0°) motorized adjustment (-25 %...+25 % when using optional reverse belt rotation)
running direction:	switch for reversing belt direction at extra charge. Max. permissible reverse speed 5 km/h (3.1 mph) if no safety-harness with fall-stop prevention system is used.
motor systems:	2.2 kW (3 PS) 3-phase AC motor, maintenance free and brushless. For high-performance applications we recommend models with a 3-phase 3x400 volt power supply and a running surface min. 190/65 cm.
power transmission:	frequency inverter, poly-V-belt, very quiet operation
safety systems:	CE, machinery directive 2006/42/EC; EMC directive 2014/30/EU; EN 60335-1; ISO 20957-1; EN 957-6; emergency-off safety stop switch (mushroom push button for drive system power-off); emergency stop switch (safety lanyard with actuator, pull cord and clip)
degree of protection:	appliance class I (⊕) / IP 00
classification:	sports and fitness device; not for medical, not for therapeutic applications
usage class:	S, I according to ISO 20957-1
accuracy class:	A (high accuracy) according to EN 957-6
earth leakage current:	< 1.5 mA
ambient condition:	0...+40 °C; 20...90 % humidity, 700...1060 hPa air pressure 3,000 m (~10,000 ft) max. altitude without pressurization
display (resolutions) parameter:	6 LCD displays, 4 LEDs for operation modes, 20 LEDs for display of units & profile no, steps, etc. speed (0.1 km/h or m/s or m/min or mph), time (00:00) in hours, minutes & seconds, elevation (0.1 % or degrees) distance (1 m...999.9 km or miles), METS (1 MET) program step/number, energy (1 kJ/kcal), fitness index (1) power (1 Watt), heart rate (1 bpm / beat per minute) optional
resolution:	1 decimal place
units:	metric / imperial
heart rate monitoring:	pulse receiver (5 kHz) and heart rate chest belt included
digital interface:	1x RS 232 com1 with 9600 bps: incl. PC-protocol, h/p/cosmos coscom® v3/v4 USB-RS232-converter; com2; com3 with 115.200 bps; com4. optional at extra charge
programs:	6 exercise profiles (scalable, more than 100 variations) 11 test profiles (UKK 2 km Walktest, Bruce, Graded test, Naughton, Ellestad, Gardner, Conconi, Ramp, etc.) 20 free definable programs with 40 program steps each
PC software (incl.):	h/p/cosmos para control® for display & remote control; including 1 x RS232 interface cable 5m (16 ft 4.85")
PC software: (extra charge)	h/p/cosmos para graphics®, para analysis® & para motion®. PC software for control, monitoring, recording & analysis
accessory (incl.):	instruction for use on USB media-stick, lubrication oil, allen-key
colour of frame:	pure white RAL 9010 (powder coated)

handrails:	steel tube handrails Ø 60 mm on both sides; length: 620 mm; cross bar, steel tube handrails are easy removable and can be replaced by other special handrails. front-crossbar Ø 30 mm
voltage supply:	200 ... 240 Volt AC 1~/N/PE 50/60 Hz 16A type C fuse; dedicated circuit, line and protection
size of frame:	L: 209 (+/-1) cm (6ft 10" +/- 1/2") W: 86 (+/-1) cm (2ft 9.9" +/- 1/2") H: 147 (+/-1) cm (4ft 3.6" +/- 1/2")
net. weight:	device approx. 218 kg (481 lbs)
gross weight:	device approx. 320...350 kg (704...770 lbs)



Weight and dimensions may differ depending on accessories.

Optionally available at extra charge are special frame colours, other handrail designs, special voltage supply, other options and accessories. Weight and package specifications can deviate according to options, accessories packing and way of transport. E&OE. Subject to alterations without prior notice. Please consider the natural and physical performance limitations of the single phase 230 volt power supply. The single phase 230 volt power supply is sufficient up to normal fitness or therapy applications. For all special high performance applications (speed running, controlled jump-ons, sidesteps, heavy subjects at higher speed, extreme elevations, etc.), we recommend models with a 3-phase, 3x400 volt power supply (for example model h/p/cosmos quasar med 3p, pulsar 3p, venus or saturn).

Warning! Installation, commissioning, instruction, maintenance and repair work only to be conducted by h/p/cosmos trained and authorised personnel. For treadmills with oversized deck (width >65cm), for children, special applications, without sufficient safety space behind the treadmill, for subjects and / or patients with health or other limitations (e.g. visual impairment, etc.), for running at high speed and / or for all individuals, where a fall triggers a dangerous risk of injury or death (e.g. newly operated hip patients, invasive probes, etc.), a fall prevention system is obligatory (e.g. safety arch with chest belt and harness or a weight support system). For more information see the instructions for use. Safety space behind the treadmill: min. L: 2 m (6ft 6.74") x treadmill width. Children are only allowed to be on the treadmill, if under permanent supervision and secured by a fall prevention system.



specifications mercury® med

treadmill:	mercury® med
manufacturer:	h/p/cosmos sports & medical gmbh / Germany
order number:	cos30000-02va02
applications:	endurance training walking and running, stress device for performance testing, gait analysis and gait training
control:	via UserTerminal MCU5 with keyboard and display, UserTerminal 180° rotatable, integrated interface or via optional remote control
keyboard:	6 keys for manual control, easily controllable with medical gloves and under sweaty conditions
running surface:	L: 150 cm (4ft 11.06") W: 50 cm (1ft 7.69") access height: 23 cm (9.06") - shock load reduction for the joints - rubber running belt with slip-resistant pyramid profile - max. permissible load: 300 kg (661 lbs)
speed range:	0.0...22.0 km/h (0.0...6.1 m/s) (0.0...13.6 mph)
acceleration:	7 acceleration / deceleration levels between 131 s and 3 s from 0 to max. or from max. to 0; equals 0.038... 1.66 m/s ² levels 1 to 4 enabled, levels 5 to 7 on request adjustable via treadmill or remote control
elevation:	0.0...25.0 % (0.0...14.0°) motorized adjustment (-25 %...+25 % when using optional reverse belt rotation)
running direction:	switch for reversing belt direction at extra charge. Max. permissible reverse speed 5 km/h (3.1 mph) if no safety-harness with fall-stop prevention system is used.
motor systems:	2.2 kW (3 PS) 3-phase AC motor, maintenance free and brushless. For high-performance applications we recommend models with a 3-phase 3x400 volt power supply and a running surface min. 190/65 cm.
power transmission:	frequency inverter, poly-V-belt, very quiet operation
safety systems:	CE 0123; medical device directive MDD 93/42/EEC; machinery directive 2006/42/EC; EMC directive 2014/30/EU; IEC 60601-1; EN 60601-1-2 (EMC tested); IEC 62304; EN 14971; ISO 20957-1; EN 957-6; emergency-stop mushroom push button (for drive system power-off), emergency-stop switch (safety lanyard with actuator, pull-cord and clip); potential equalization bolt; transformer for potential-isolation from the mains.
degree of protection:	appliance class I  / type B  / IP 00
classification:	medical device risk class IIb according to MDD 93/42/EEC, active therapeutic medical device and active diagnostic medical device
usage class:	S, I according to ISO 20957-1
accuracy class:	A (high accuracy) according to EN 957-6
earth leakage current:	< 0.2 mA
ambient condition:	0...+40 °C; 20...90 % humidity, 700...1060 hPa air pressure 3,000 m (~10,000 ft) max.altitude without pressurization
display (resolutions) parameter:	6 LCD displays, 4 LEDs for operation modes, 20 LEDs for display of units & profile no, steps, etc. speed (0.1 km/h or m/s or m/min or mph), time (00:00) in hours, minutes & seconds, elevation (0.1 % or degrees) distance (1 m...999.9 km or miles), METS (1 MET) program step/number, energy (1 kJ/kcal), fitness index (1) power (1 Watt), heart rate (1 bpm / beat per minute) optional
resolution:	1 decimal place
units:	metric / imperial
heart rate monitoring:	pulse receiver available (5kHz), heart rate chest belt optional at extra charge.
digital interface:	1x RS 232 com1 with 9600 bps: incl. PC-protocol, h/p/cosmos coscom® v3/v4 USB-RS232-converter; com2; com3 with 115.200 bps; com4. optional at extra charge
programs:	6 exercise profiles (scalable, more than 100 variations) 11 test profiles (UKK 2 km Walktest, Bruce, Graded test, Naughton, Ellestad, Gardner, Conconi, Ramp, etc.) 20 free definable programs with 40 program steps each
PC software (incl.):	h/p/cosmos para control® for display & remote control; including 1 x RS232 interface cable 5m (16 ft 4.85")

PC software: (extra charge)	h/p/cosmos para graphics®, para analysis® & para motion®. PC software for control, monitoring, recording & analysis
accessory (incl.):	instruction for use on USB media-stick, lubrication oil, allen-key, 5m (16 ft 4.85") PE potential equalization cable
colour of frame:	pure white RAL 9010 (powder coated)
handrails:	steel tube handrails Ø 60 mm on both sides; length: 620 mm; cross bar, steel tube handrails are easy removable and can be replaced by other special handrails. front-crossbar Ø 30 mm
voltage supply:	200...240 Volt AC 1~/N/PE 50/60 Hz 16A type C fuse; dedicated circuit, line and protection
size of frame:	L: 209 (+/-1) cm (6ft 10" +/- 1/2") W: 86 (+/-1) cm (2ft 9.9" +/- 1/2") H: 147 (+/-1) cm (4ft 3.6" +/- 1/2")
net. weight:	device approx. 231kg (509 lbs)
gross weight:	device approx. 320...350 kg (704...770 lbs)

Weight and dimensions may differ depending on accessories.

Optionally available at extra charge are special frame colours, other handrail designs, special voltage supply, other options and accessories. Weight and package specifications can deviate according to options, accessories packing and way of transport. E&OE. Subject to alterations without prior notice. Please consider the natural and physical performance limitations of the single phase 230 volt power supply. The single phase 230 volt power supply is sufficient up to normal fitness or therapy applications. For all special high performance applications (speed running, controlled jump-ons, sidesteps, heavy subjects at higher speed, extreme elevations, etc.), we recommend models with a 3-phase, 3x400 volt power supply (for example model h/p/cosmos quasar med 3p, pulsar 3p, venus or saturn).

Warning! Installation, commissioning, instruction, maintenance and repair work only to be conducted by h/p/cosmos trained and authorised personnel. For treadmills with oversized deck (width >65cm), for children, special applications, without sufficient safety space behind the treadmill, for subjects and / or patients with health or other limitations (e.g. visual impairment, etc.), for running at high speed and / or for all individuals, where a fall triggers a dangerous risk of injury or death (e.g. newly operated hip patients, invasive probes, etc.), a fall prevention system is obligatory (e.g. safety arch with chest belt and harness or a weight support system). For more information see the instructions for use. Safety space behind the treadmill: min. L: 2 m (6ft 6.74") x treadmill width. Children are only allowed to be on the treadmill, if under permanent supervision and secured by a fall prevention system.



specifications airwalk® ap

unweighting device:	airwalk® ap
manufacturer:	h/p/cosmos sports & medical gmbh / Germany
order number:	cos30028
applications:	body weight support (during treadmill therapy/training) fall protection (during treadmill therapy/training) unweighted and/or secured balance training unweighted and/or secured functional and gait training overspeed/hyperspeed and excess frequency training
control:	pneumatic valve with rotary knob
max. body weight:	250 kg (551 lbs) valid for frame and rope textiles such as vest and shorts excluded
max. body height:	200 cm (6,5 ft.) (standard) 225 cm (7,4 ft.) (optionally at extra charge) possible restrictions with treadmill inclination >10%
body weight support:	dynamic, continuously adjustable at 6 bar: max. 50 kg (110 lbs) at 8 bar: max. 70 kg (150 lbs) at 10 bar: max. 90 kg (200 lbs) optionally at extra charge at 8 bar: max. 120 kg (265 lbs) vertical amplitude approx. 70 cm (2.3 ft.) max. rotation 1 x 360°
safety systems:	CE medical device directive MDD 93/42/EEC + 2007/47/EC; machinery directive 2006/42/EG; ISO 20957-1; EN 14971; EN ISO 13485
classification:	medical device risk class I according to MDD, active therapeutic medical device
usage class:	S, I according to ISO 20957-1
ambient conditions:	temperature: +10...+30 °C humidity: 30...75 % air pressure: 700...1060 hPa
display:	analog manometer on device (standard)
resolution:	approx. 2.5 kg (5 lbs)
accessories (incl.)	instructions for use, 1 unweighting vest cos10095-vest-M (size M, thorax circumference 93...105 cm) 1 safety harness cos14903-M (size M, chest circumference 85 ... 115 cm) further sizes XXS ... XL at extra charge neoprene pants size. S, M, L at extra charge [cos10095-neo]
compatibility:	h/p/cosmos treadmills pluto®, mercury®, locomotion®, quasar®, pulsar® external devices only with written confirmation by h/p/cosmos treadmill not within scope of delivery
frame color:	standard: pure white RAL 9010 (powder coated)
comp. air supply:	coupling plug acc. to ISO4414
size of frame:	L: 236...276 cm (7.7 ... 9.1 ft.) (depending on treadmill) W: 177 cm (5.8 ft.) H: 273 cm (9.0 ft.) (standard) individual height (e.g. 248 cm or 298 cm) optionally at extra charge
net weight:	approx. 310 kg (683 lbs)
gross weight:	see separate position
optionally available:	compressor 0..8 bar (0...116 psi) (cos103058) attention: 8 bar pressure correspond to max. 70 kg support compressor 0...10 bar (0...145 psi) (cos103016) 10 bar compressor incl. soundproofing hood

Weight and dimensions may differ depending on accessories.

Alternative: connection to existing compressed air system with 8...10 bar.

Furthermore optionally available at extra charge: emergency stop for running belt of an h/p/cosmos treadmill, pneumatic spring mode, robowalk expander, max. body weight support 160 / 240 kg (353 / 529 lbs), special frame colours, other options and accessories.

Weight and package specifications can deviate according to options, accessories, packing and way of transport. E&OE. Subject to alteration without notice.

Warning! Installation, commissioning, instruction, maintenance and repair work only to be conducted by h/p/cosmos trained and authorised personnel. Inspect the rope (cos 102317) at least once a month visually for wear or damage. Rope has to be replaced annually or even earlier at first sign of wear or damage. For any application where falling might cause an unacceptable risk (e.g. newly operated hip patients, invasive probes, osteoporosis, etc.) the subject has to be secured by a safety harness [cos14903] additionally. For more information see the instructions for use.



sports / athletics



sports
quasar®



cycling & athletics
saturn® med 300/100r



performance diagnostics
pulsar® med 3p



German Engineering since 1988



inline skating
saturn® med 300/125r



functional training
pulsar® med 3p + robowalk®



cross country skiing
skating / biathlon
saturn® med 450/300rs



wheelchair
saturn® med 300/125r



speed training / speedlab®
quasar® 3p



fitness
pluto® / mercury® / quasar® / pulsar®



motion analysis
quasar® med



expander training
robomove®



bike ergometer
torqualizer®



biomechanics
gait parameters
optogait

rehabilitation



active gait correction
robowalk® expander / mercury® med



senior fitness
mercury®



orthopaedic rehabilitation
mercury® med / arm support / airwalk® ap



cardiac rehabilitation
mercury® med



body weight supported
treadmill therapy
airwalk® ap / mercury® med



angiology
mercury® med



gait analysis / biomechanics
gaitway® 3d with force and pressure measurement



cardiovascular stress testing / CPET
mercury® med



locomotion therapy
locomotion® med 150/50



therapeutic bar training
parawalk®

special applications



environmental & climate chambers
quasar® med 3p with external UserTerminal



biomechanics
gaitway® 3d



military / army
quasar® special version



speed training
sprint trainer comet®



fire fighter ladder training & fitness
discovery®

h/p/cosmos dealer contact:

manufacturer

h/p/cosmos sports & medical gmbh
Am Sportplatz 8
83365 Nussdorf-Traunstein
Germany

phone: +49 86 69 86 42 0
fax: +49 86 69 86 42 49

sales@hpcosmos.com
www.hpcosmos.com

skype: @hpcosmos.com (search & select name)
youtube: youtube.com/hpcosmos
twitter: twitter.com/hpcosmos
facebook: facebook.com/hpcosmos

